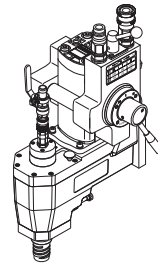


DIMAS



IPL, DIMAS DM 406HL, DIMAS DM 406HH, 2002-09, 531 11 11-77

DIMAS DM 406HL
DIMAS DM 406HH

Reservdelar

Spare parts

Ersatzteile

Pieces de rechange

Piezas de repuesto

Ricambi

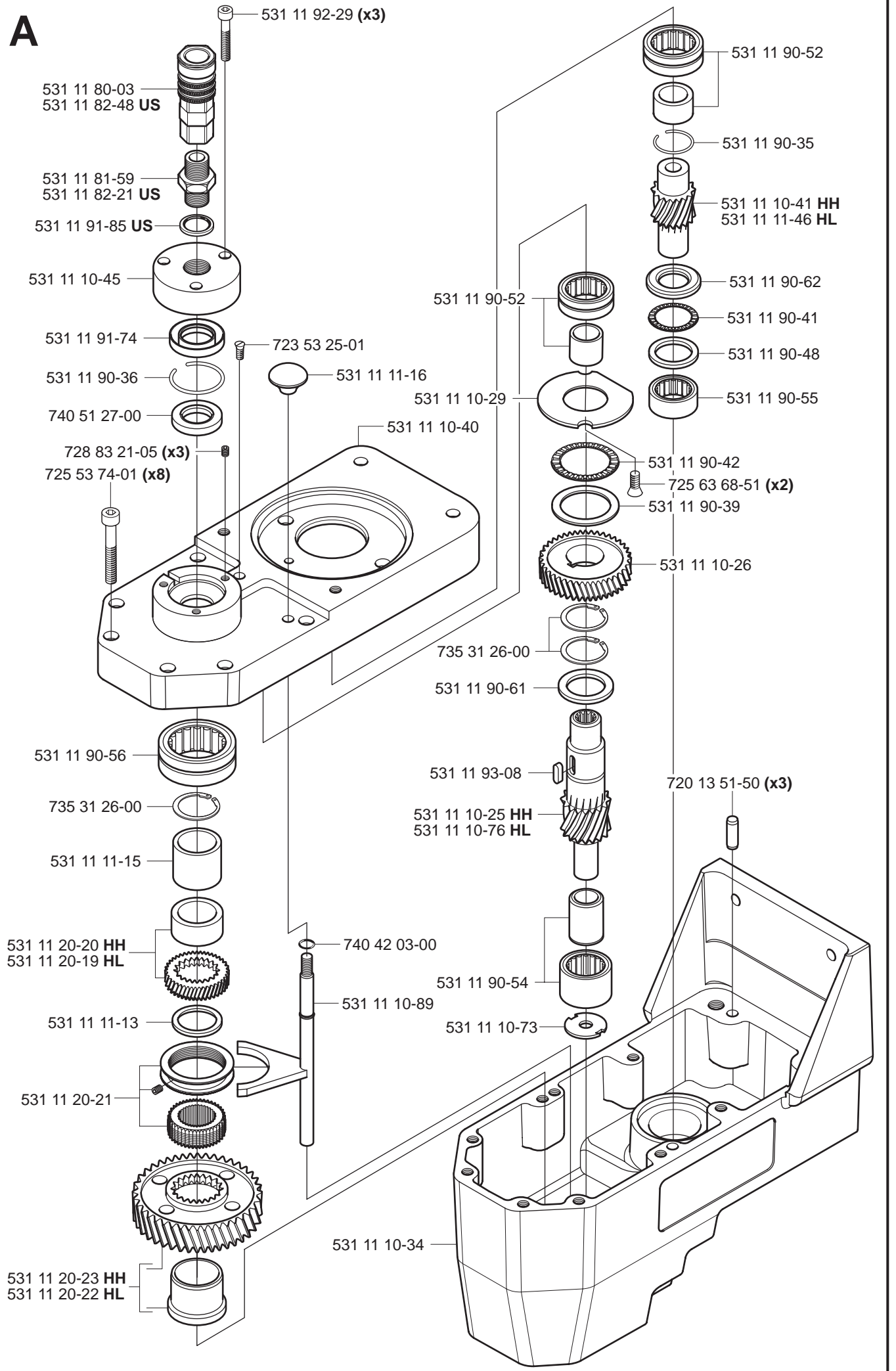
Peças
sobresselente

531 11 11-77

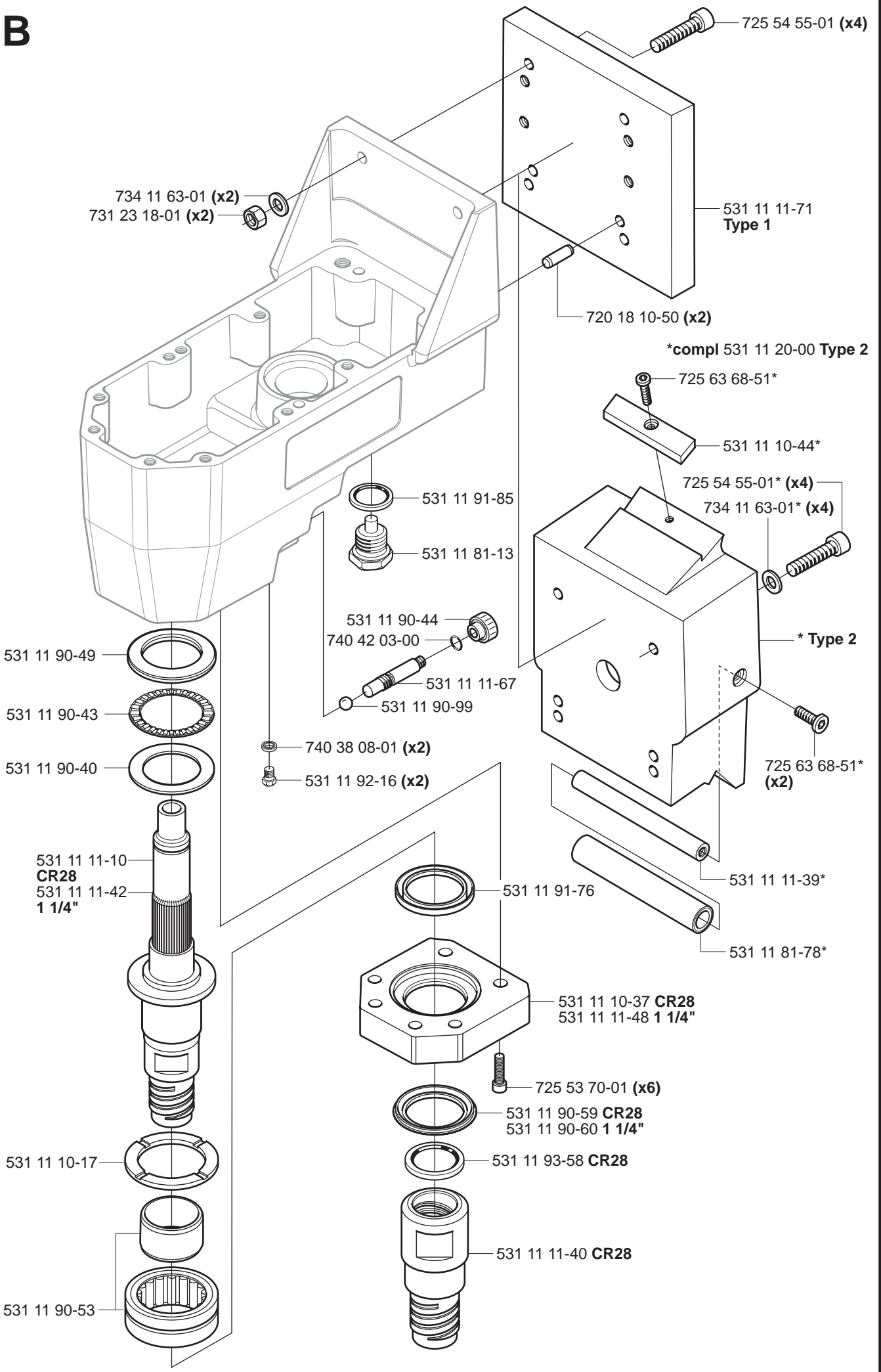
DIMAS

No.	Pos.	Description	No.	Pos.	Description
531 11 10-17	B	Thrust bearing	531 11 90-41	A	Thrust bearing
531 11 10-25	A	Intermediate shaft ddm-3hh	531 11 90-42	A	Thrust bearing
531 11 10-26	A	Gear wheel	531 11 90-43	B	Thrust bearing
531 11 10-29	A	Bearing bracket	531 11 90-44	B	Wheel
531 11 10-34	A	Gearbox casing	531 11 90-45	D	Ball d20xm5
531 11 10-37	B	Spindle cover cr28	531 11 90-47	E	Sealing washer marked
531 11 10-40	A	Gearbox cover	531 11 90-48	A	Bearing washer
531 11 10-41	A	Input shaft ddm-3hh	531 11 90-49	B	Casing washer
531 11 10-44	B	Wear plate	531 11 90-52	A	Needle bearing
531 11 10-45	A	Water swivel	531 11 90-53	B	Needle bearing
531 11 10-55	E	Top sliding ring	531 11 90-54	A	Needle bearing
531 11 10-56	E	Bottom sliding ring	531 11 90-55	A	Needle bearing
531 11 10-59	E	Valve cone	531 11 90-56	A	Needle bearing
531 11 10-60	E	Valve lining	531 11 90-59	B	Gamma sealing 35x52
531 11 10-62	E	Valve plate	531 11 90-60	B	Gamma sealing 40x57
531 11 10-69	C	Return pipe	531 11 90-61	A	Support washer 26x37x2
531 11 10-70	D	Main valve	531 11 90-62	A	Shaft washer
531 11 10-71	D	Main valve lever	531 11 90-98	D,E	Spring
531 11 10-72	D	Valve cover	531 11 90-99	B,D,E	Ball 6 mm
531 11 10-73	A	Thrust bearing	531 11 91-13	E	Handle
531 11 10-76	A	Intermediate shaft ddm-3hl	531 11 91-74	A	Shaft seal 15x32x7
531 11 10-89	A	Gear shift bar	531 11 91-76	B	Shaft seal 40x55x7
531 11 10-96	C	Retracting block ddm-3hh	531 11 91-85	B,D	"Sealing washer 1/2""
531 11 10-97	D	Valve casing ddm-3hh	531 11 92-16	B	Screw 6x8
531 11 11-02	E	Valve label	531 11 92-29	A	Screw 5x22
531 11 11-10	B	Spindle cr28	531 11 92-53	E	Screw 6x20
531 11 11-13	A	Axial support	531 11 92-55	E	Screw 6x45
531 11 11-15	A	Bearing sleeve	531 11 92-57	E	Screw 6x55
531 11 11-16	A	Gear level knob	531 11 92-66	E	O-ring 21.2x3
531 11 11-18	E	Stop pin	531 11 92-70	C	O-ring 24.2x3
531 11 11-19	E	Valve lever hub	531 11 92-93	C	O-ring 80x1.6
531 11 11-39	B	Handle	531 11 93-08	A	Key 6x6x16
531 11 11-40	B	Wear adapter cr28	531 11 93-19	C	Seal scn 18x30x6
531 11 11-42	B	"Spindle 1 1/4""	531 11 93-37	E	Plug 10x1
531 11 11-43	D	Valve casing ddm-3hl	531 11 93-40	C,E	"Plug 1/2""
531 11 11-44	C	Retracting block ddm-3hl	531 11 93-41	D	"Plug 1/4""
531 11 11-46	A	Input shaft ddm-3hl	531 11 93-43	C,D	"Plug 3/8""
531 11 11-48	B	"Spindle cover 1 1/4""	531 11 93-58	B	Washer 28x35x2 cr28
531 11 11-66	E	Valve lever	531 12 13-44	C	Support ring scn
531 11 11-67	B	Locking screw	531 14 10-86	E	Plug plc
531 11 11-71	B	Mounting plate dds-50	720 13 51-50	A	Cylindrical pin 6x16
531 11 11-73	E	Rotation speed label ddm-3hh	720 18 10-50	B	Cylindrical pin 8x24
531 11 11-74	E	Rotation speed label ddm-3hl	721 42 56-00	D	Locking pin 4x20
531 11 11-85	E	Rotation speed label 406-HL	721 42 62-00	E	Locking pin 4x32
531 11 20-00	B	Mounting plate type 2 assy	723 52 22-01	E	Screw 3x8
531 11 20-05	C	Hydraulic motor ddm-3hh	723 53 25-01	A,D	Screw 5x10
531 11 20-06	C	Hydraulic motor ddm-3hl	725 53 70-01	B	Screw 6x20
531 11 20-13	C	Watercoupling w. valve	725 53 74-01	A	Screw 6x30
531 11 20-19	A	Gear wheel ddm-3hl Compl	725 53 76-01	C	Screw 6x35
531 11 20-20	A	Gear wheel ddm-3hh Compl	725 54 55-01	B,C	Screw 8x30
531 11 20-21	A	Gear carrier Compl	725 54 63-01	C	Screw 8x60
531 11 20-22	A	Gear wheel ddm-3hl Compl	725 63 68-51	A,B	Screw 6x16
531 11 20-23	A	Gear wheel ddm-3hh Compl	728 83 21-05	A	Stop screw 5x6
531 11 30-78	C	Seal scn assy	731 23 18-01	B	Nut m8
531 11 80-03	A	Coupling	734 11 63-01	B,C	Washer 8.4x16
531 11 80-49	D	Coupling	735 31 26-00	A	Circlip sga25
531 11 80-50	D	Coupling	735 31 30-10	C	Circlip sgh30
531 11 80-80	E	Pressure relief valve	740 38 08-01	B	Sealing washer m6
531 11 81-13	B	Magnetic plug	740 42 03-00	A,B	O-ring 5.1x1.6
531 11 81-59	A	"Coupling 1/2""-3/8""	740 42 14-00	E	O-ring 16.1x1.6
531 11 81-78	B	Rubber hose	740 42 17-00	C,D	O-ring 19.1x1.6
531 11 82-00	D	Adaptor sleeve	740 43 07-00	D	O-ring 9.3x2.4
531 11 82-21	A,D	Adapter R1/2"-1/2-14	740 43 09-00	E	O-ring 11.3x2.4
531 11 82-29	D	Coupling NPT	740 43 12-00	D	O-ring 14.3x2.4
531 11 82-30	D	Coupling NPT	740 43 13-00	D	O-ring 15.3x2.4
531 11 82-48	A	Watercoupling NPT	740 44 04-00	D	O-ring 19.2x3
531 11 90-35	A	Retaining ring 24x2	740 44 05-00	E	O-ring 22.2x3
531 11 90-36	A	Retaining ring 30x2	740 44 09-00	E	O-ring 32.2x3
531 11 90-39	A	Bearing washer	740 51 27-00	A	Shaft seal 15x30x7
531 11 90-40	B	Bearing washer			

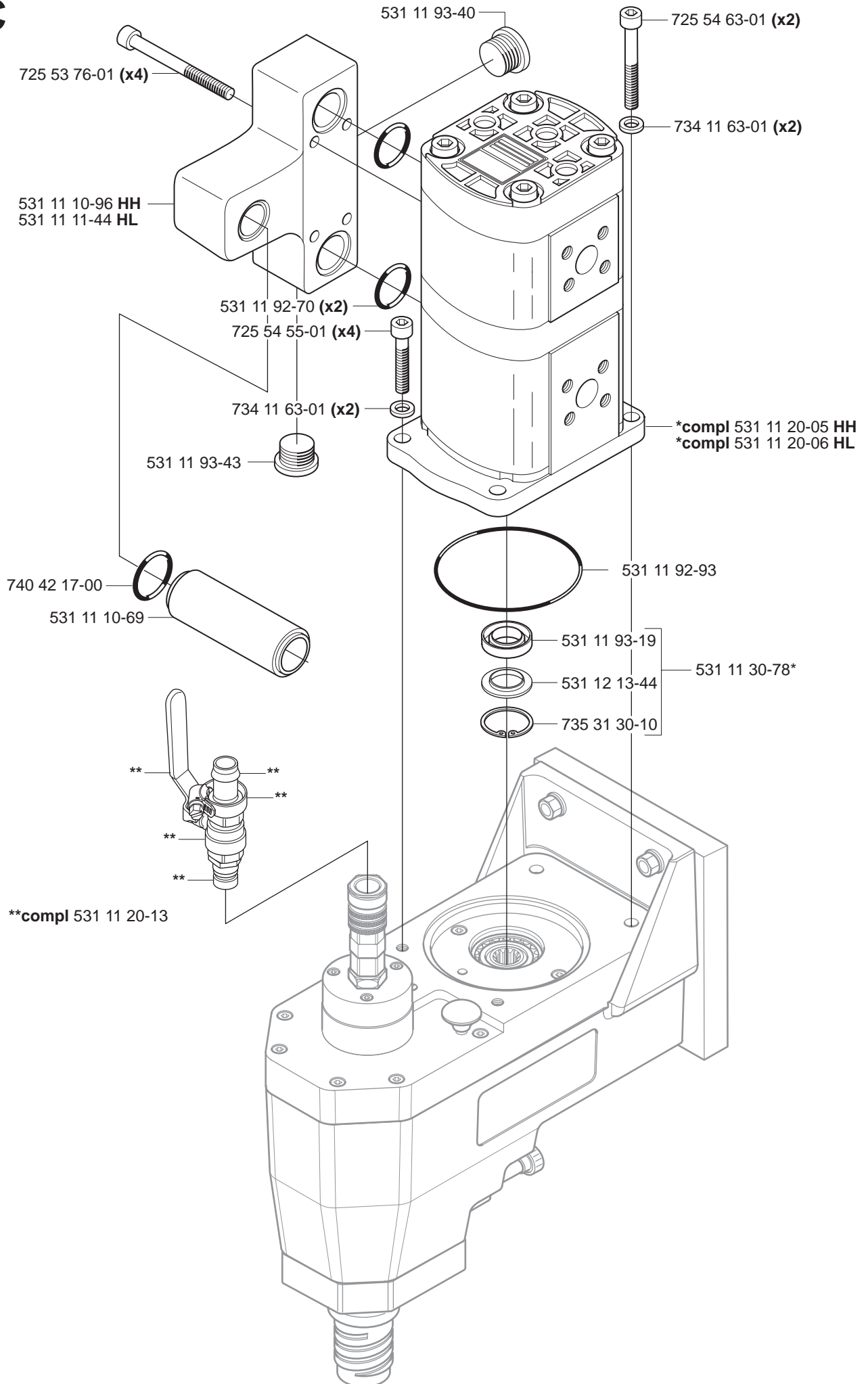
A



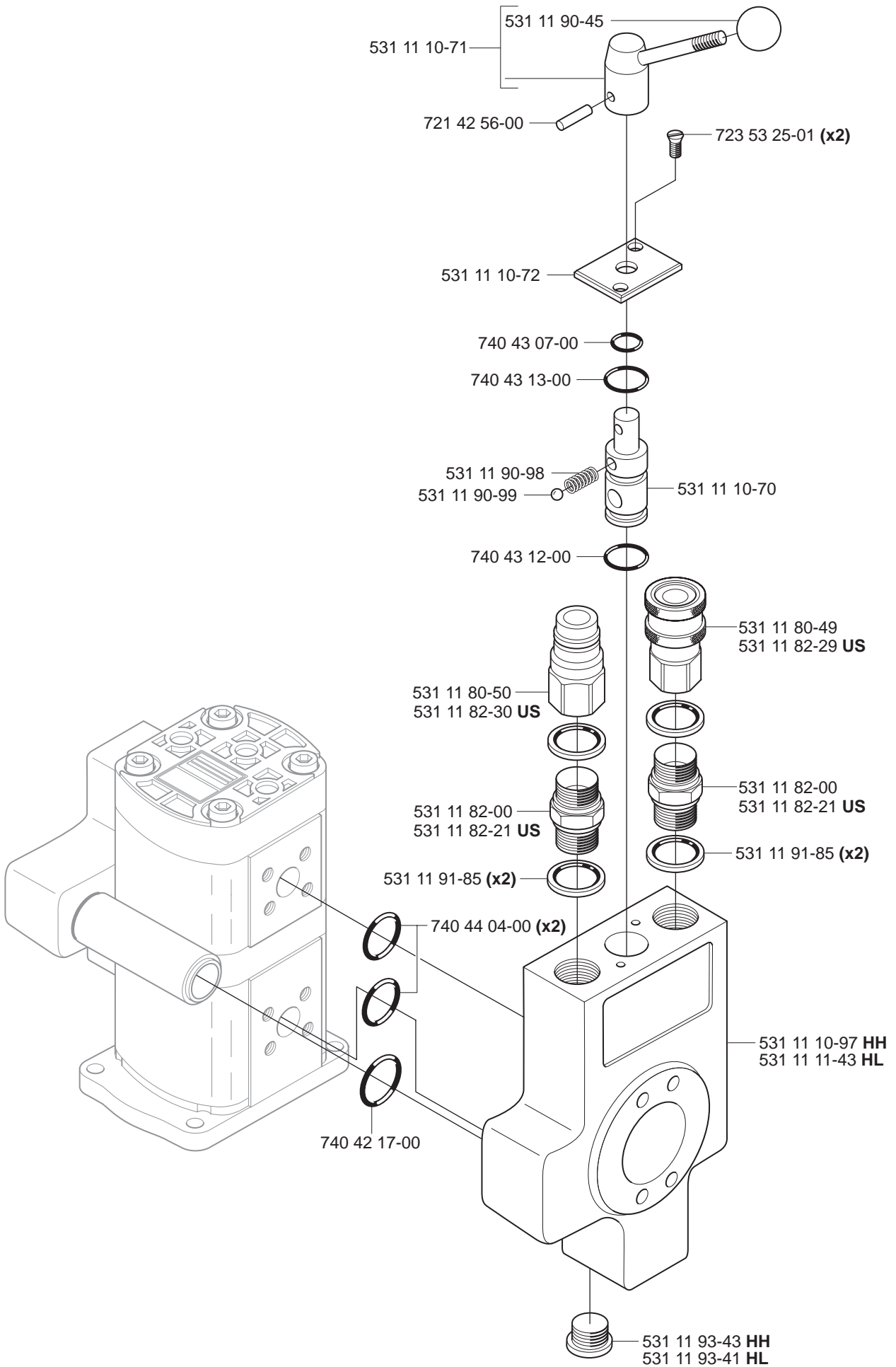
B



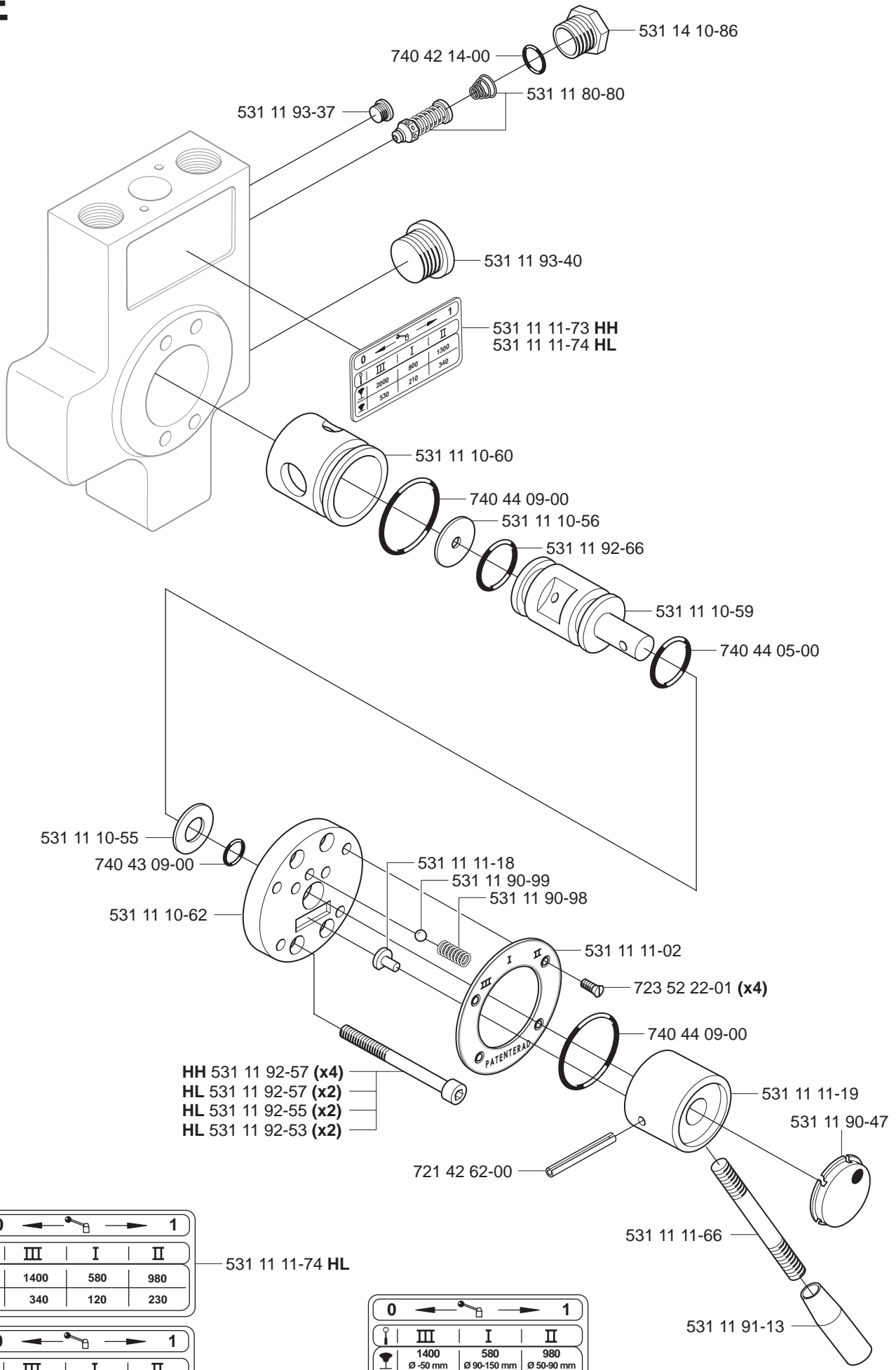
C



D



E



0	←	→	1
III	I	II	
1400	580	980	
340	120	230	

531 11 11-74 HL

0	←	→	1
III	I	II	
2000	800	1300	
530	210	340	

531 11 11-73 HH

0	←	→	1
III	I	II	
1400	580	980	
Ø 50 mm	Ø 90-150 mm	Ø 50-90 mm	
Ø 2"	Ø 4"-6"	Ø 2"-4"	
340	120	230	
Ø 150-250 mm	Ø 400-600 mm	Ø 250-400 mm	
Ø 6" - 10"	Ø 16"-24"	Ø 10"-16"	

531 11 11-85 HL (US only)